

OMNI DIRECTIONAL Ultra-Wideband Antenna



Features

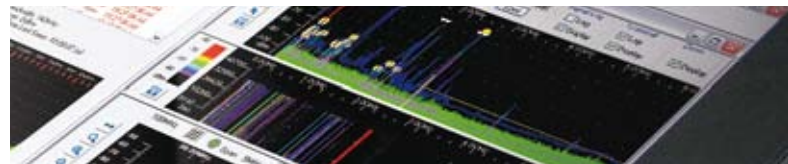
- Amazing Frequency Coverage 20MHz – 26GHz
- Passive Omni-Directional
- Nominal gains of 0dBi or higher over 99.5% of frequency coverage
- Supplied with tabletop tripod & roof rack mount
- Reduces the number of antennas required to cover the spectrum
- Eliminates the need for batteries that a broadband active antenna would require
- Rugged design, available in black or white finish

Applications

- Technical Surveillance Counter Measures (TSCM)
- Electromagnetic Interference/Compatibility (EMI/EMC)
- Broadband RF communications and testing
- RF applications and integration
- SIGINT
- Wireless voice and data communications

Technical Specifications

Frequency Range	20MHz – 26GHz
Beam-width	Omni-directional
Impedance	50 Ohms, Nominal
Gain	200MHz – 26GHz Nominal 0dBi or Greater @ 100MHz Nominal –17dBi @ 20MHz Nominal –40dBi
Connector	Type K
Dimensions	
Overall Length	44.5cm (17.5")
With standard tripod mount	58cm (22.5")
Diameter	11.5cm (4.5")
Weight	1.27Kg (2.8 lbs.)
Operating Temperature	-30°C to +60°C
Storage Temperature	-40°C to +80°C



Product Code

3-299-029

External antenna, omni wide-band passive, 20MHz – 26GHz supplied with tabletop tripod and roof rack mount

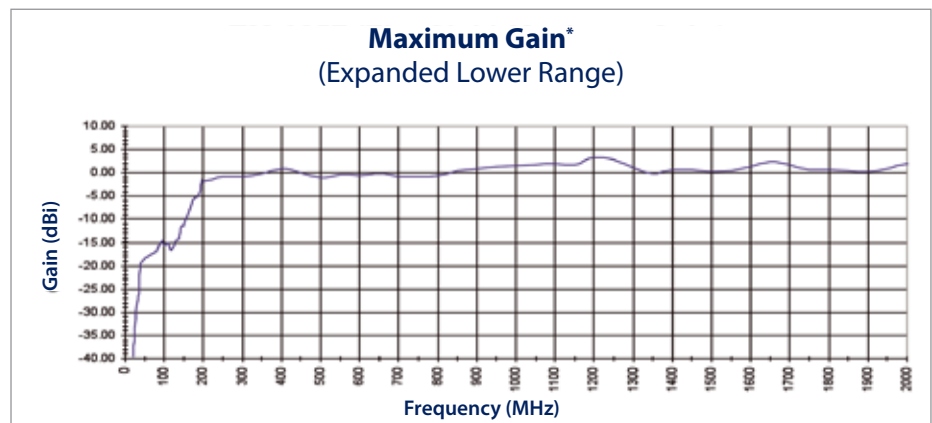
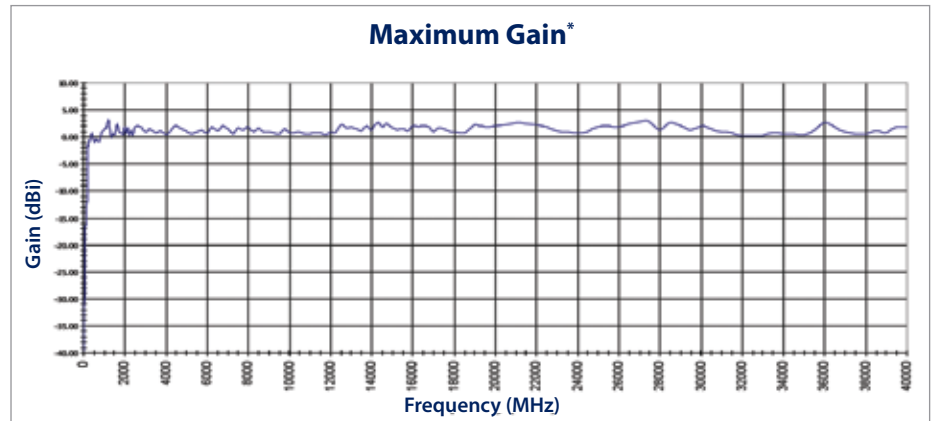
Overview

Winkelmann is proud to introduce the ultra wide band, omni-directional, passive antenna. The antenna performs over a frequency range from 20MHz to 26GHz and is the ideal external antenna for use with the RAPTOR RXi Ultra-fast scanning Countersurveillance Receiver. The lightweight antenna with 4.5" diameter, reduces the number of antennas required to cover the spectrum and eliminates the need for batteries that a broadband active antenna would require. It is perfect for applications demanding rugged design and where size, weight and system configuration complexity must be kept to a minimum.

With nominal gains of 0dBi or higher over 99.5% of the antenna coverage frequency range, this antenna is the perfect device for TSCM, SIGINT or any other application where a small, rugged, high performance passive antenna is required. The antenna is supplied with a white or black finish, tripod-mounting bracket in its standard configuration and a vehicle "roof rack" mount. The antenna is the ideal choice for government and industrial applications including EMI, TSCM, and SIGINT.

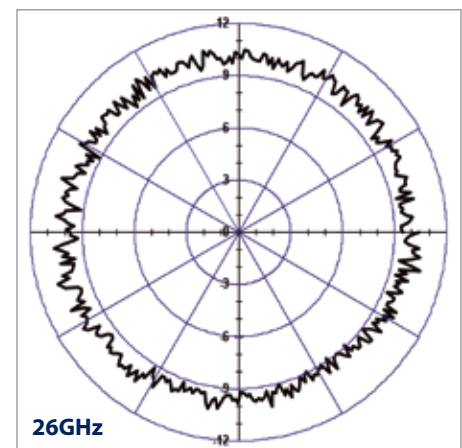
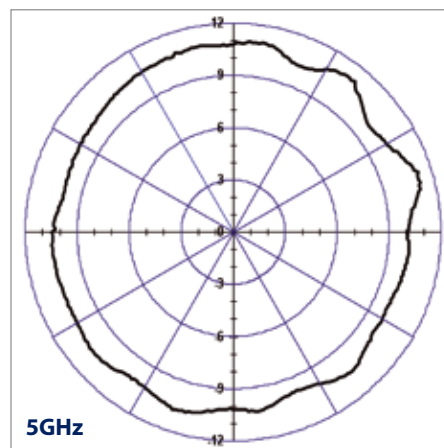
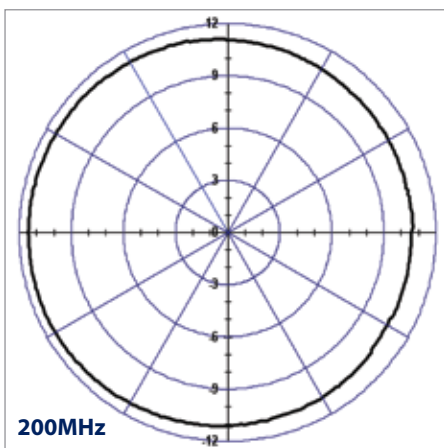
Technology

The exceptionally broad and consistent frequency response with nominal gains above 0dBi from 20MHz to 26GHz, is the result of the continuing development of Winkelmann proprietary technology. It is the ideal antenna to be used for broadband RF communications and testing.



*Maximum Gain determined from scans at all radiation angles and elevations. Data shown is typical, not guaranteed

Typical Radiation Patterns (3dB per division)



For further information contact

Winkelmann (UK) Limited
Unit 63, Rowfant Business Centre
Wallage Lane, Rowfant, Near Crawley
West Sussex RH10 4NQ UK

T: +44 (0) 1342 719024
F: +44 (0) 1342 719030
E: sales@winkelmann.co.uk
www.winkelmann.co.uk

